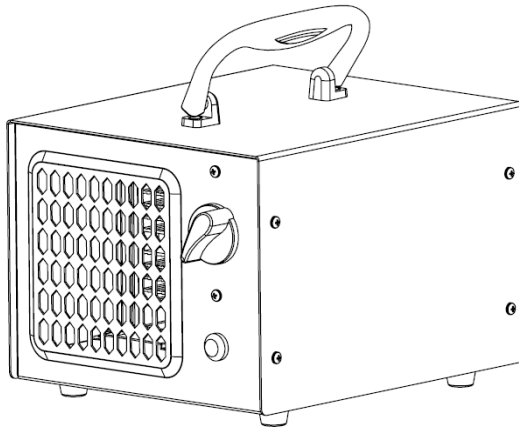


# ***HE-152R***

## ***Commercial Air Purifier***

### ***USER MANUAL***



#### **CAUTION:**

Read manual carefully for proper installation and operation



# CONTENTS

## Getting Started

1. Specifications.....	1
2. Product Features.....	1
3. Introduction.....	2
4. Applications.....	3

## How To Use

5. Quick Start Guide.....	4
6. Operating.....	4

## Care And Troubleshooting

7. Replacing the ozone module.....	5
8. Replacing the Fuse.....	6
9. Troubleshooting.....	6

## Warranty Terms

10. Service and Warranty.....	7
11. Warranty Card.....	7

# 1. SPECIFICATIONS

Model:	HE-152R
Rated Voltage:	AC 220-240V/50Hz or AC100-120V/50-60Hz
Power Consumption:	100W
Air Volume:	Max 106 CFM (3 m <sup>3</sup> /min)
Ozone Plates	95X70MM, 1pc ceramic ozone plate
Active Oxygen(on):	10000mg/H
Sound Level (DB):	40DB
Product Size (mm):	220 x 170 x 160 mm
N.W./G.W.:	2.4KGS / 2.9KGS
Application Area:	50 m <sup>2</sup>

# 2. PRODUCT FEATURES

- **New design for pluggable ozone module, easy to replace it by hand.**
- Powerful, low noise level, portable, light and easy maintenance.
- Heat sink to reduce the heat on the ozone plate, longer lifespan.
- Utilizing controlled corona discharge ozone technology developed.
- Stainless steel Pre-filter to remove large particle.
- Protect plastic box for timer and switch, more reliable.



To reduce the risk of electric shock, this equipment has a grounding type plug that has a third (grounding) pin. This plug will only fit into a grounding type power outlet. If the plug does not fit into the outlet, contact qualified personnel to install the proper outlet. Do not alter the plug in any way.

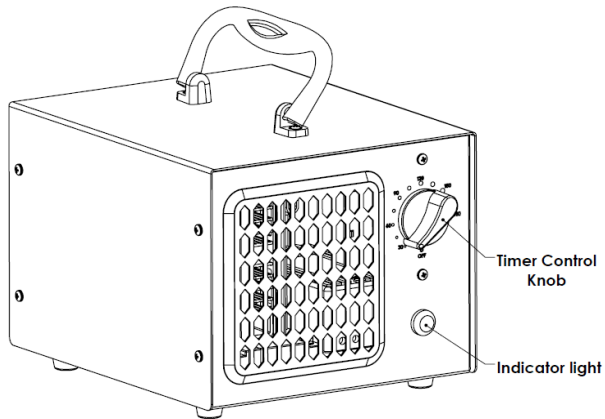


**WARNING! - TO REDUCE THE RISK OF ELECTRICAL SHOCK, DO NOT REMOVE COVER. NO USER SERVICEABLE PARTS INSIDE. REFER SERVICING TO QUALIFIED SERVICE PERSONNEL.**

### 3. INTRODUCTION

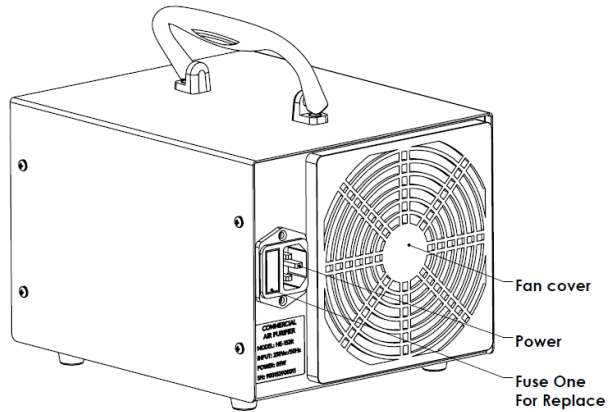
The Commercial Air Purifier is designed to remove odors in unoccupied spaces. The unit has a timer that will enable it to run for a maximum duration of 3 hours. The timer will then shut the commercial air purifier off. You should allow 40 minutes before returning to the treated area.

(Front View)



Part Name	Function
<b>Timer Control Knob</b>	Turn clockwise to set the timer for timed operation up to 3 hours.
<b>Indicator Light</b>	Illuminates when unit is in operation.

## (Back View)



Part Name	Function
<b>Fuse Holder</b>	Houses removable fuse. (Spare fuse included)
<b>Power Cord</b>	100-120V or 220~240V grounded cord (unless otherwise)

## 4. APPLICATIONS

- For home use: Air sterilizer, living room. Kitchen. Bathroom, pet room
- For Restaurant air sterilizer, Hotel room purifier, KTV smell remover, store sterilizer, office building, and Fishing shop. Garage, Etc...
- For vehicle and boat etc.
- For removing Formaldehyde (new house, hotel, office...), Refrigerator keep fresh equipment.

## 5. QUICK START GUIDE

- When placing the device, set it on top of something solid to give it a steady base and prevent it from tipping over.
- Make sure no humans, animals, pets are present in the area before starting the treatment
- Seal the treatment area to avoid ozone leakage to nearby areas occupied by plants, animals or humans.
- Turn off air purifier when cleaning.

## 6. OPERATING

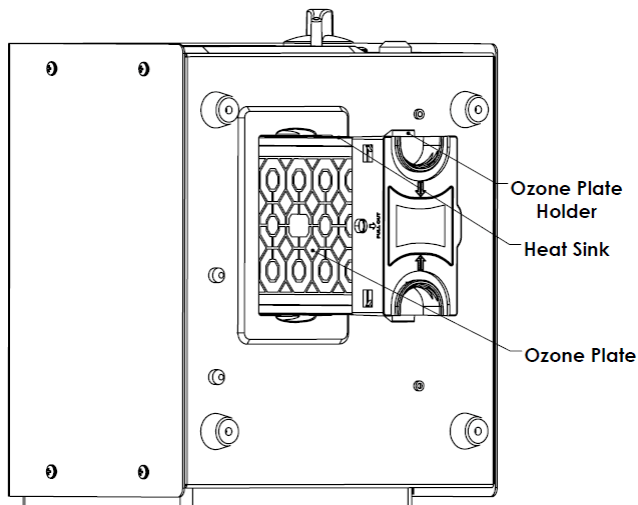
To operate the Commercial Air Purifier:

- Close off the desired area to be treated.
- Remove all occupants and pets.
- Position the unit as close as possible to the odor source.
- In such environments as motels that have individual heating and cooling systems, turn the fan on and set on re-circulate.
- Set timer to desired time and leave the room.
- Allow 40 minutes before re-entering the treated space.
- Return to space & ventilation area.

## 7. REPLACING THE OZONE MODULE

- When the air purifier no longer produces enough ozone to be effective, the ozone module should be replaced. (Usually it should be replaced after working 6000 hours)

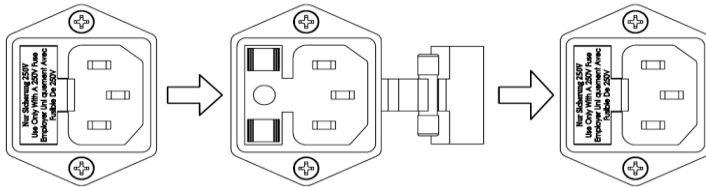
**How to replace the ozone module:**



- Turn off the local power supply.
- Pull out the ozone plate module directly by hand.
- Install new ozone plate module  
(Be careful not to drop the plate module).



## 8. REPLACING THE FUSE



Fuse holder (located on the back of the unit next to the power cord)

- ✓ How to replace the fuse:
  - To replace fuse, pull out the plastic fuse holder
  - Remove old fuse and insert new fuse.
  - Replacement fuse must be 0.5 or 1 amp.

## 9. TROUBLE SHOOTING

Unit fails to turn on or doesn't produce ozone??

- ✓ If you suspect a problem with your unit check the following:
  - Unit is plugged in properly.  
It's important that the Commercial Air purifier be properly grounded to avoid potential shock.
  - Fuse is installed properly and in good condition.

If these solutions don't fix your problem, please contact your authorized distributor for a repair or replacement.

## **10. SERVICE AND WARRANTY**

The commercial air purifier comes with 2 Year Limited Warranty.

This device is warranted to be free from all defects in material in normal use for a period of 1 year from date of purchasing. The warranty is granted only to the original purchaser. This warranty provides for the repair or replacement of the unit, replacement product or parts may include re-manufactured or refurbished parts or components.

This warranty does not cover part of the unit that requires replacement under normal use. Any damages or malfunctions caused by negligence, abuse, or use not in accordance with the owner's manual are not covered by this warranty. Likewise, any defects or damages caused by unauthorized service.

## 11. WARRANTY CARD

To activate warranty you must return this card within 30 days of purchase.

---

### FOR YOUR RECORDS

Please record the model and serial number below, for easy reference, in case of loss or theft. These numbers are located on the back panel of your air purification unit. Space is also provided for other relevant information.

Name: \_\_\_\_\_ Phone: \_\_\_\_\_

Address: \_\_\_\_\_

Model Number: \_\_\_\_\_ Serial Number: \_\_\_\_\_

Date of Purchase: \_\_\_\_\_ Distributor Name: \_\_\_\_\_

