

USER MANUAL

HE-150Q

TABLE OF CONTENT

Introduction	1
Safety notices.....	1
User responsibility.....	1
Safety Guide Lines	1
Before use.....	1
During use.....	1
After use.....	1
Description & Specification	2
Specification.....	2
Certification.....	2
Parts	3
Display	4

Normal Mode	5
Mode.....	6
Recommendations.....	6
Function	6
Trouble shooting	7
Change Control PCB.....	8
Change ozone module.....	9
Change air pump.....	10
Warranty terms	11
Product warranty.....	11
Consumables warranty.....	11

INTRODUCTION

This user manual is made for helping you use this Ozone Generator more safely and to give you basic operation and maintenance information. Read the instructions carefully before attempting to use the product.

These safety instructions only address the basics for safe use.

Please contact us if you have any questions.

Safety notices

Throughout this document the following symbols are used to indicate special precautions or procedures you should note.



WARNING! - This symbol indicates a warning you should follow of to avoid bodily injury and damage to your property.



CAUTION - This symbol denotes precautions and procedures you should follow to ensure correct operation to your equipment, and in some situations (where noted) possible damage.



NOTE - This symbol denotes special instructions or tips that should help you get the best performance from HE-150Q.

User responsibility



WARNING! - Only use in areas not occupied by humans, plants and animals. Ozone can be irritating to the eyes, throat and nose during prolonged exposure.

SAFETY GUIDE LINES

It is the user's responsibility to follow all the recommendations and safety guidelines before using this product.

Before use

Before using, make sure the power supply is the voltage value specified in the product manual. Please do not place it in direct contact with water. Set up the machine according to the recommendations in this manual to avoid damage.

During use

Make sure that operated under the guidance of an adult, children are not touched during work, the ozone outlet tube cannot be placed directly into mouth.

After use

The average half-life of ozone in water is 10 minutes, depending on certain environmental factors such as temperature and humidity.


DESCRIPTION & SPECIFICATION

The Ozone generator uses corona discharge to convert the oxygen (O₂) to ozone (O₃). When used correctly, it can permanently oxidize organic compounds at the molecular level to neutralize various kinds of bad odors, bacteria, mold and more.

Specification

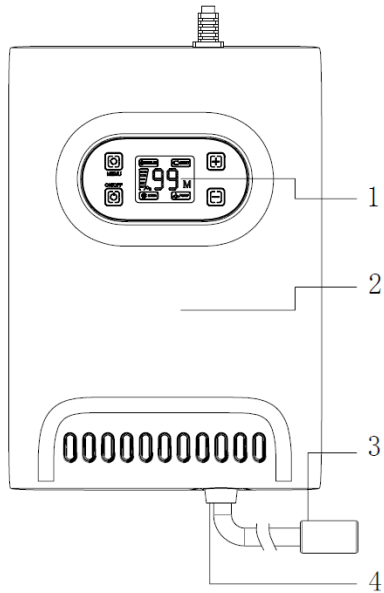
Size:	198x139x62mm
Net weight:	0.8Kg
Effect:	10W
Input Voltage:	110V(60Hz)/230V(50Hz)
Ozone output:	600mg/H
Max volume (water):	260L
Max space (Air):	4m ²
Working temperature:	10 - 60°C
Humidity:	5 - 75% non-condensing

Certification

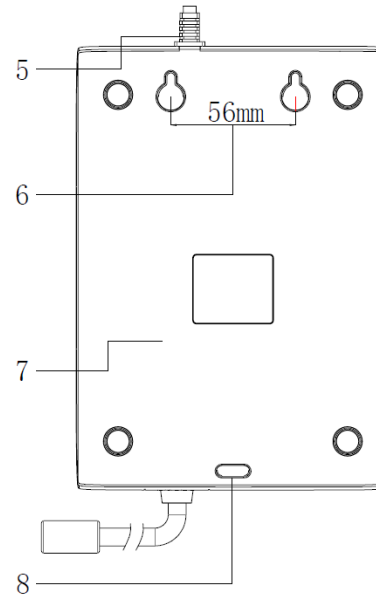
 HE-150Q are CE marked and comply with the Directive (2014/53 / EU), the EMC Directive (2014/30 /EU) and the Low Voltage Directive (2014/35 / EU) issued by the European Commission. **Only for indoor use.**

PARTS

1. Screen interface 2. Front cover 3. Air stone 4. Nozzle 5. Power source
6. Wall-mounted 7. back cover 8. drainage hole



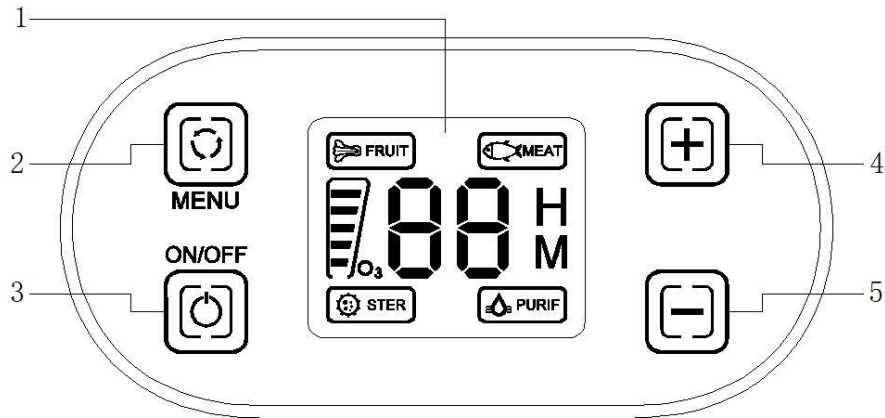
Front side



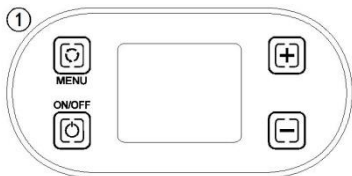
Back side

DISPLAY

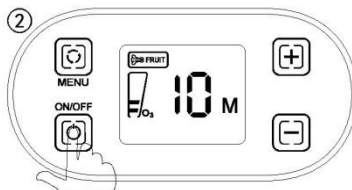
1. LED Screen 2. Function 3. Power 4. Time adding 5. Time reducing



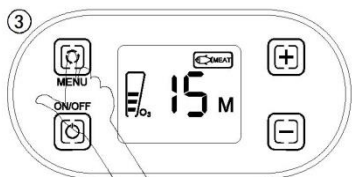
NORMAL MODE



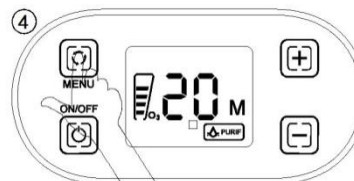
Connect power cable to a power outlet, LCD will display



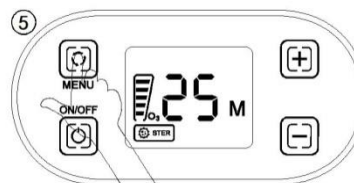
Press power button, will be default FRUIT working mode, After ring 5 seconds, will start to work, the default work time is 10MIN, press "+" or "-" to adjust the time.



Press function button once, will be MEAT working mode, the default work time is 15 MIN, press "+" or "-" to adjust the time.



Press function button second time, will be PURIF working mode. The default working time is 20MIN, working, press "+" or "-" to adjust the time.



Press function button three times, will be STER working mode the default working time is 25 MIN, press "+" or "-" to adjust the time.

Mode description

When using in normal mode, can adjust the time to adapt the size of space for best performance, time from 1 to 99 MIN.

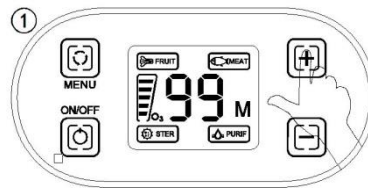


NOTE: A delay function holds the ozone production for 5s after starting the products, when addition and subtraction time, it will be ring 5 seconds and then maintain ozone production. After the working time, it will be automatically off after 10 seconds.

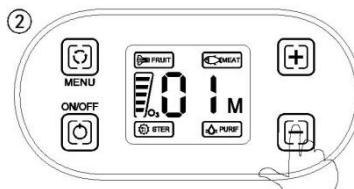
Recommendations

The ideal working temperature is about 25~30 °C. Treatments in too high temperatures, 60 degrees or more will be poor works. When working, try to put the air stones into the lower position of the water, this machine can be placed flat or wall-mounted, placed the machine higher than the ozone nozzle or air stones to improve efficiency.

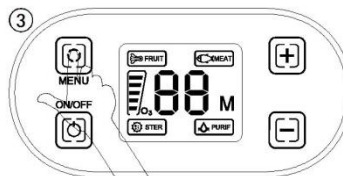
FUNCTION



Press “+” once to increase 1MIN, press and hold this button to increment by 10 per second, The maximum value is 99MIN. (all modes are same)



Press “-” once to decrease 1MIN, press and hold this button to decrease the value by 10 per second. The Minimum value is 1MIN (all modes are same).

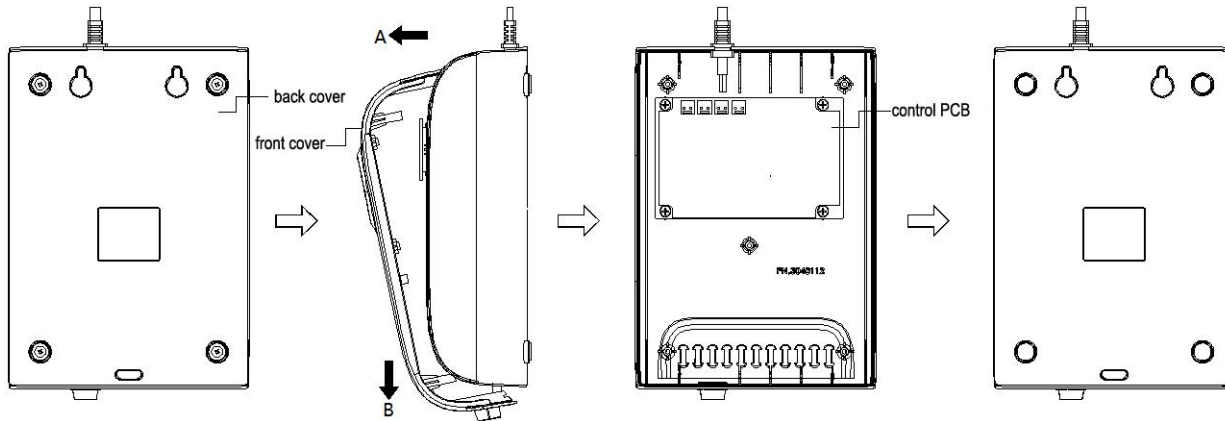


The default mode is Fruit mode when open the machine, press FUNCION to MEAT, PURIFY, STER, AND FRUIT working mode.

TROUBLE SHOOTING

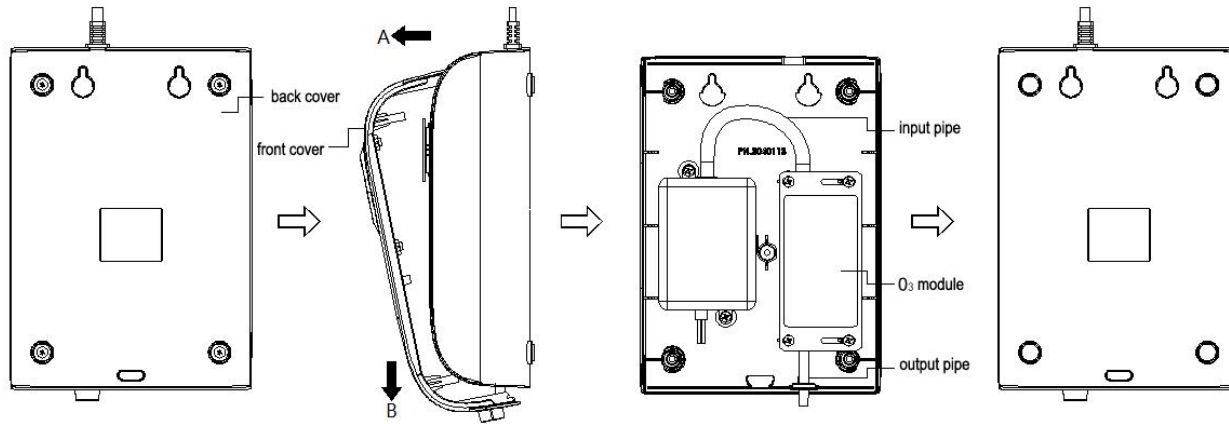
Problem	Possible reason	Solution
Unit not work	The ozone machine do not open	Press the POWER button
	LCD control do not work	Return for repair, replace new control PCB
No O ₃ when working	Internal O ₃ module cable is loose	Open the front cover and reconnect the cable
	O ₃ module aging or damaged	Return for repair, replace new O ₃ module
Air pump not work	Internal air pump cable is loose	Open the front cover and reconnect the cable
	Air pump damaged	Return for repair, replace new air pump

Change Control PCB



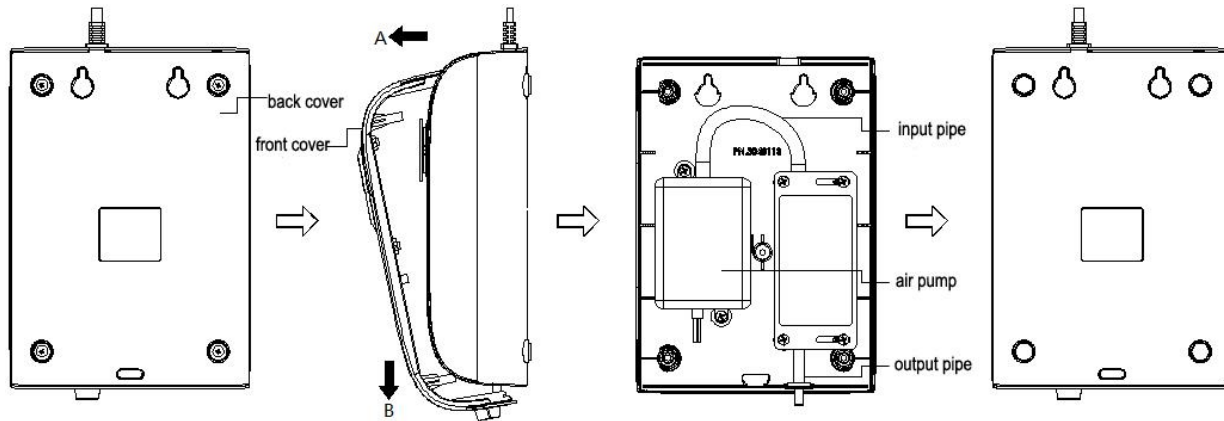
- Remove the foot pad and loosen the screws on the back cover with a screwdriver.
- Remove the front cover as Figure A
- Loosen the screws of the PCB, then replace the new one.
- Install the new PCB, back cover and foot pad as above figure.

Change Ozone Module



- Remove the foot pad and loosen the screws on the back cover with a screwdriver.
- Remove the front cover as Figure A
- Loosen the screw of ozone module, then unplug the input and output pipe and remove the O₃ module to replace it.
- Install the new ozone module, back cover and foot pad as above figure.

Change Air Pump



- Remove the foot pad and loosen the screws on the back cover with a screwdriver.
- Remove the front cover as Figure A
- Loosen the screw of air pump, then unplug the input pipe and remove the air pump to replace it.
- Install the new air pump, back cover and foot pad as above figure,

WARRANTY TERMS

Product warranty

This machine comes with a 3-year factory warranty that covers the entire unit from the date of purchase for the original purchaser. It undertakes that within this period to provide replacement parts free of charge, and free repair or replacement new products within one year from the date of purchase. The warranty is not transferable; The guarantee period takes effect on the date of purchase.

Consumables warranty

This machine is with a one-year warranty for entire unit and a 3-year warranty for parts. Please contact an authorized dealer or contact the factory directly.
(Since the date of the original purchaser's purchase)



NOTE - Warranty will be avoided if you open the product casing, No serviceable parts inside.

*This warranty is only for products not subjected to rough use, abuse, applications other than set forth in this manual, modifications, accidents, the use of unauthorized parts failure to carry out periodic maintenance set forth in this manual, normal wear or repairs not performed by authorized repair. There is no others express warranty.
All other warranties are excluded. Damages consequential are excluded the extent exclusion is permitted by law.